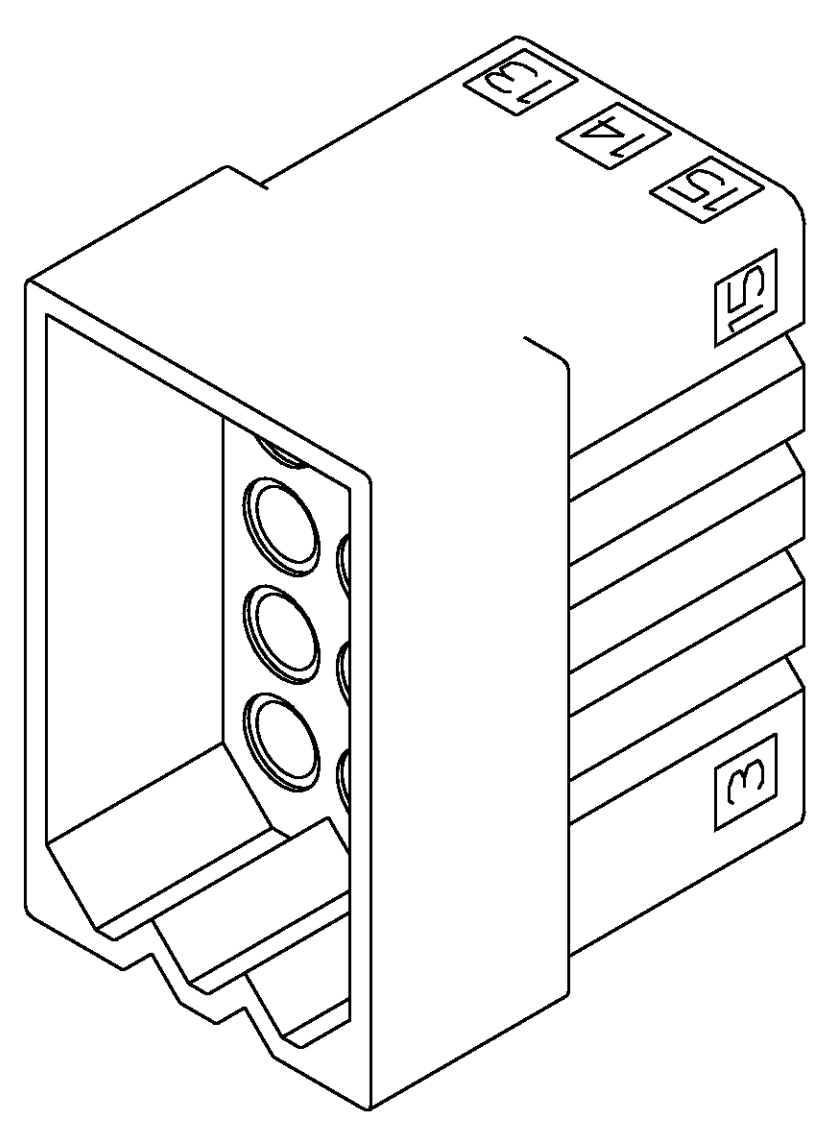
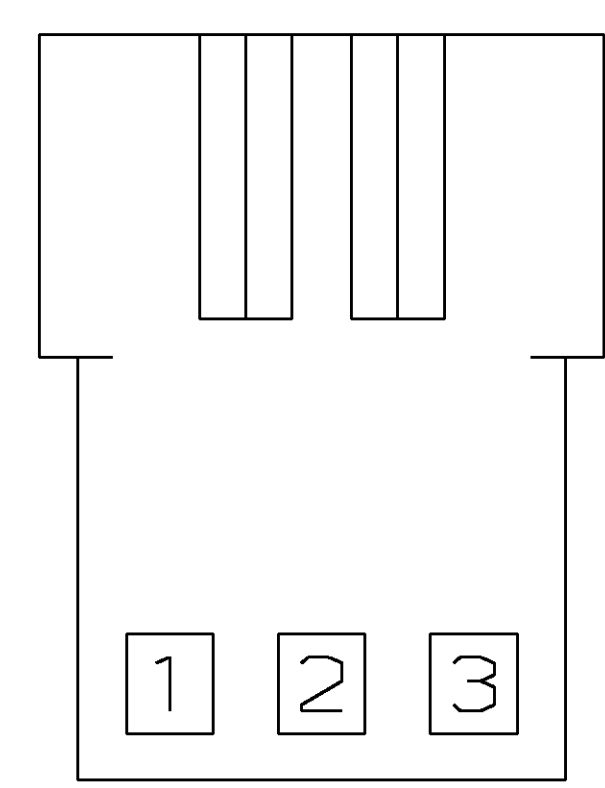
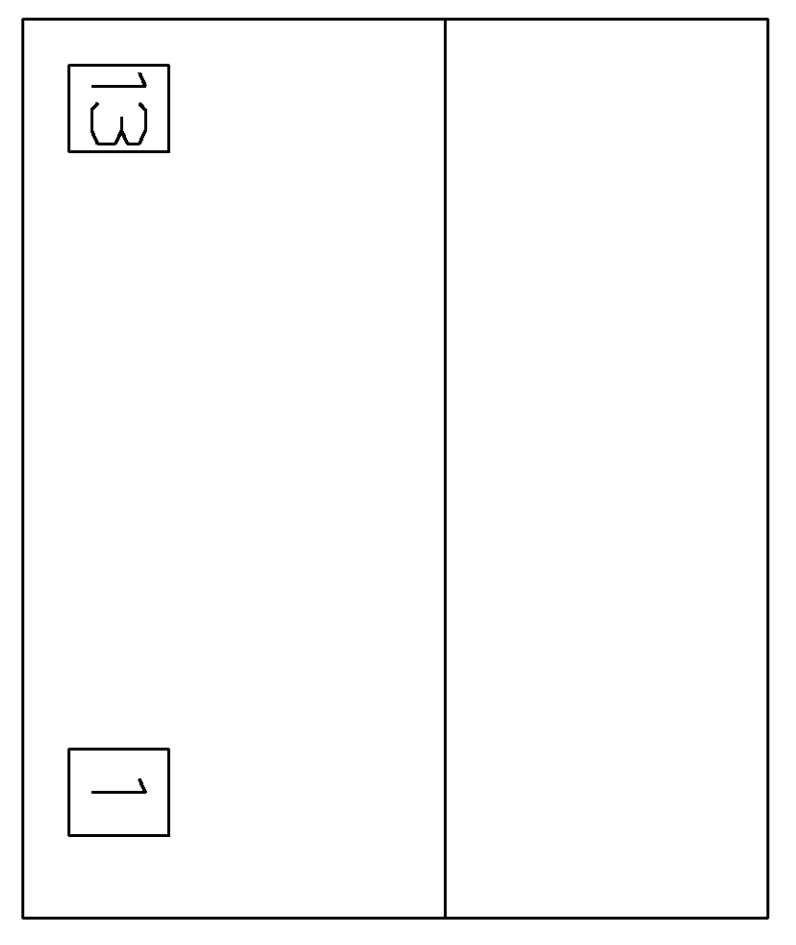
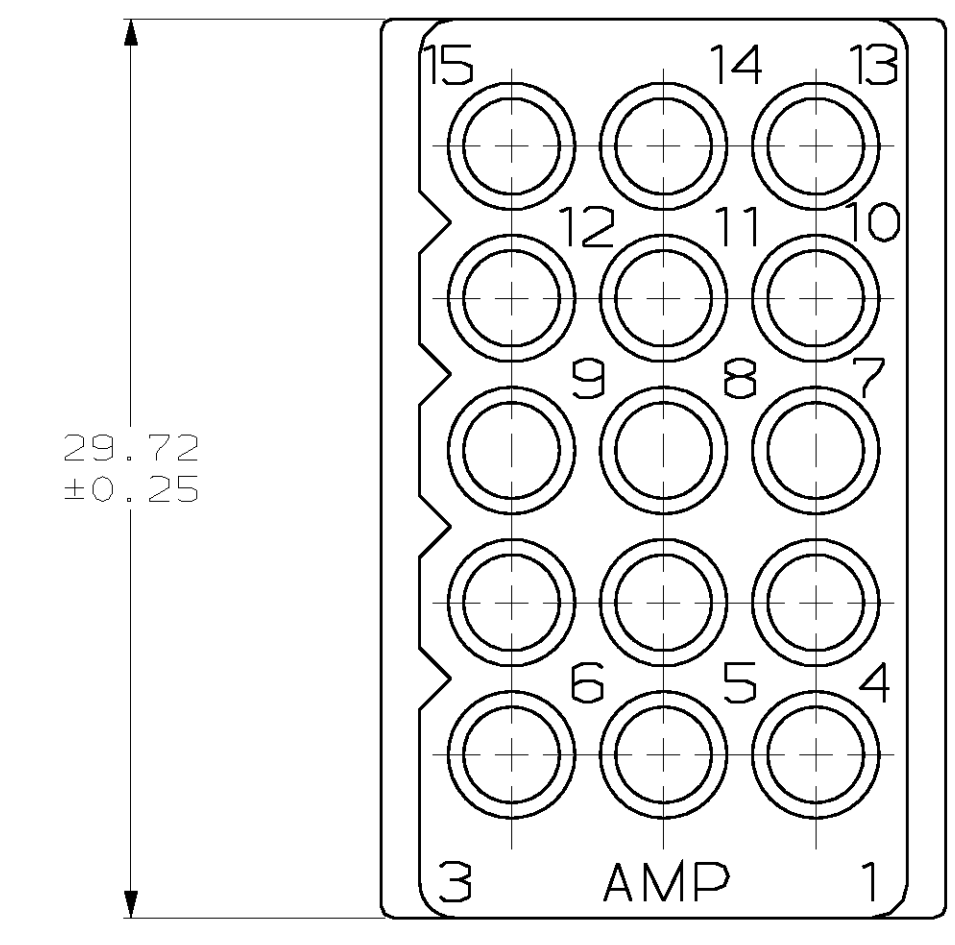
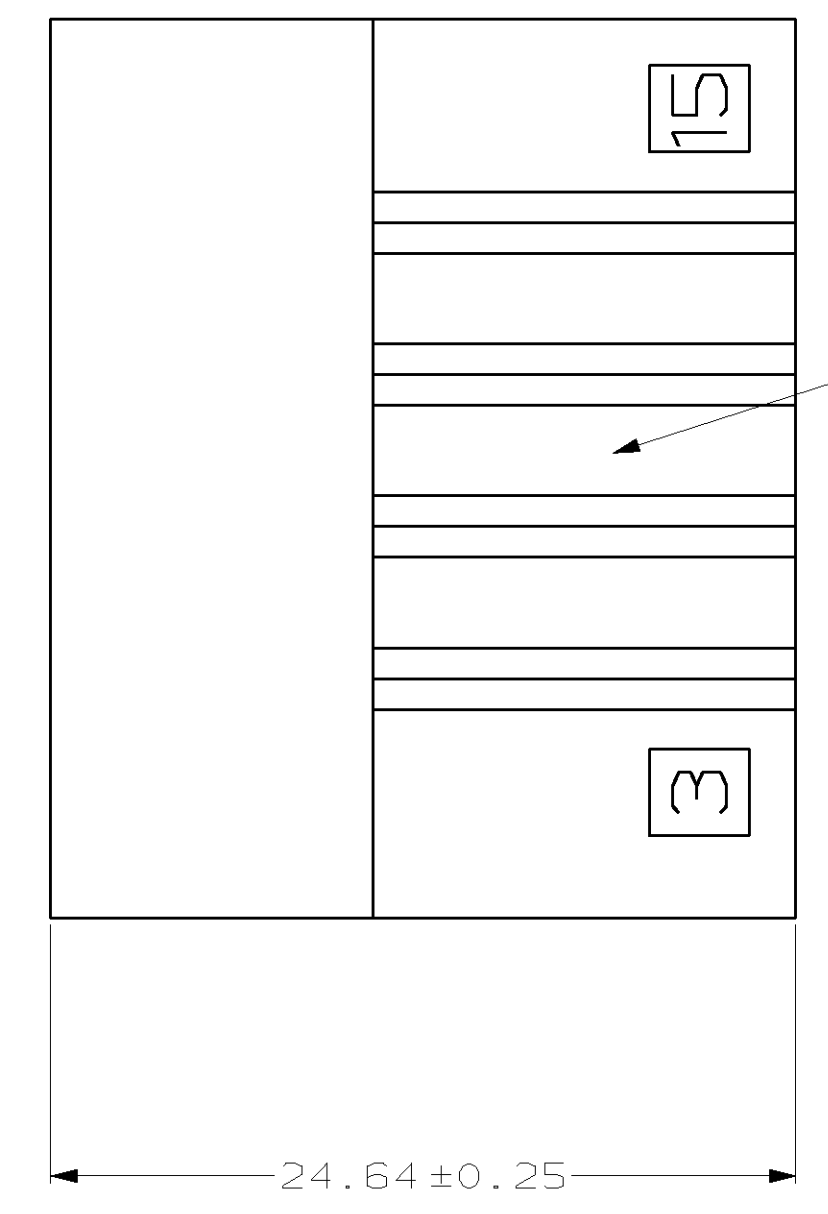
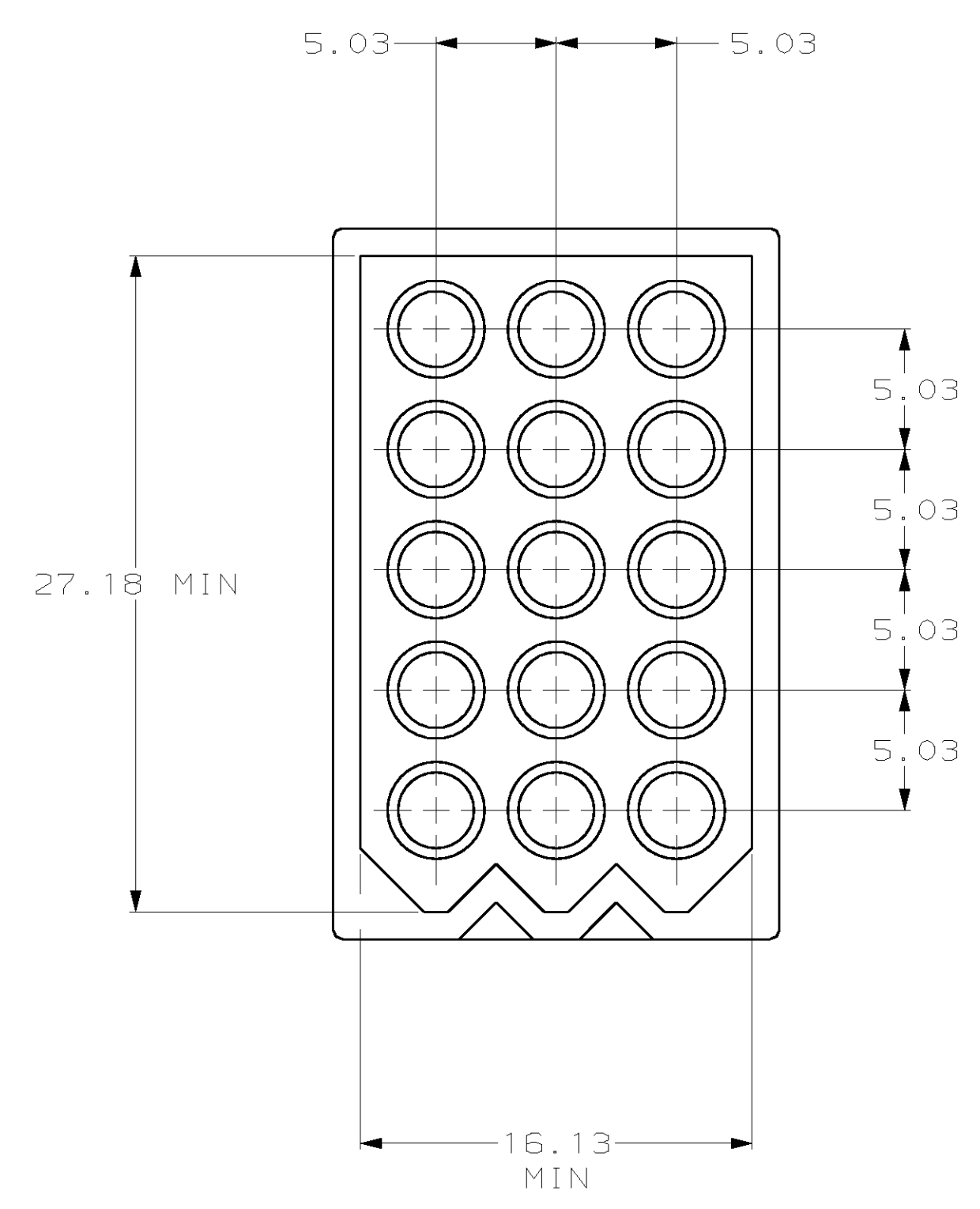
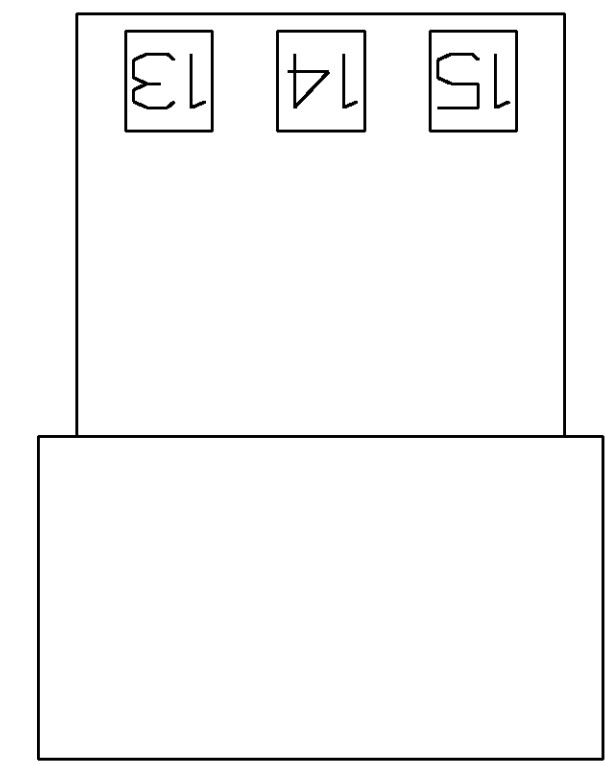


△ MARKING FOR UL LOGO AND CSA LOGO LOCATED APPROXIMATELY AS SHOWN.



3-DIMENSIONAL MODEL
NTS

29.72	1.170
27.18	1.070
24.64	.970
16.13	.635
5.03	.198
2.36	.093
0.25	.010
0.13	.005
MM	IN

CONVERSION TABLE



770107-1
PART NUMBER

THIS DRAWING IS A CONTROLLED DOCUMENT.		DWN K. WHITAKER 04-JUN-1999	AMP Incorporated Harrisburg, PA 17105-3608
DIMENSIONS: mm		CHK: J. SCHLUNZ 04-JUN-1999	
TOLERANCES UNLESS OTHERWISE SPECIFIED:		APPROV: J. SCHLUNZ 04-JUN-1999	NAME PLUG, 15 CIRCUIT, .093 COMMERCIAL PIN AND SOCKET
0 PLC ±	1 PLC ±	PRODUCT SPEC	RESTRICTED TO
2 PLC ±0.13	3 PLC ±	APPLICATION SPEC	SIZE CAGE CODE DRAWING NO
4 PLC ±	ANGLES ±	WEIGHT	A100779-770107
MATERIAL NYLON, JL 94V-2, NATURAL	FINISH -	CUSTOMER DRAWING	SCALE 4:1 SHEET 1 OF 1 REV E